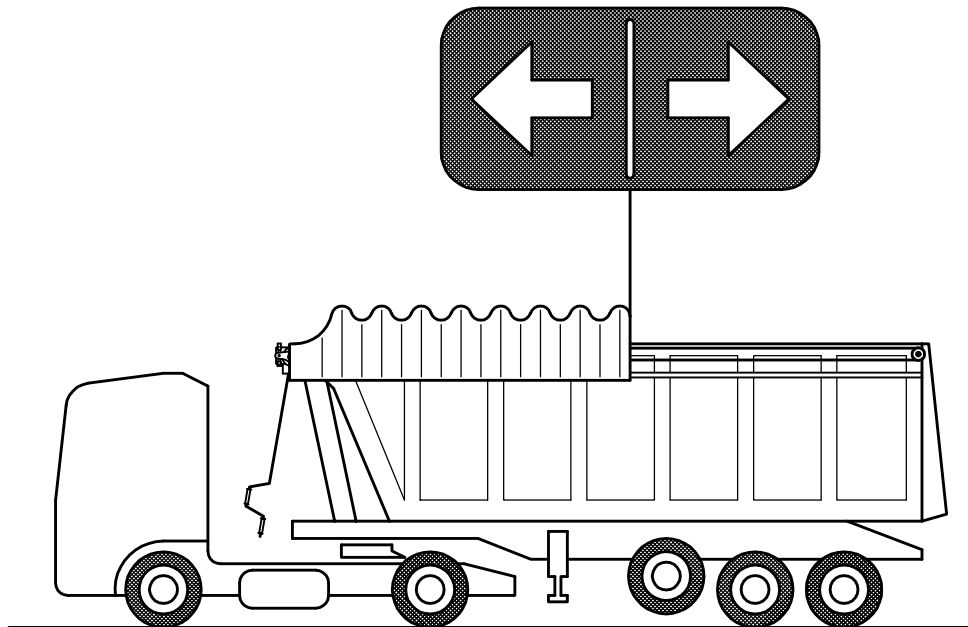
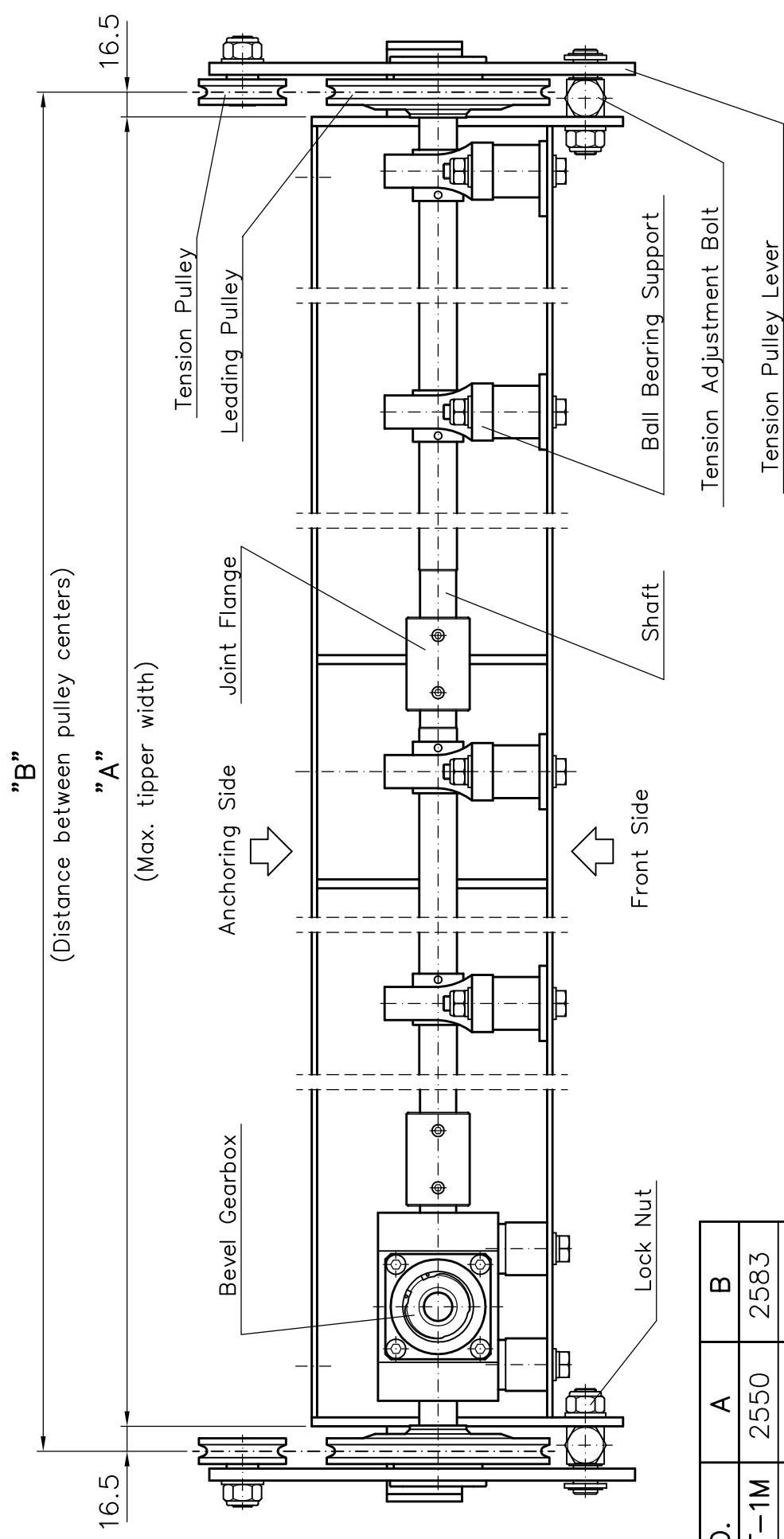




*MANUAL OPERATED
DRIVE BOX KIT
FOR TIPPER CANVAS*



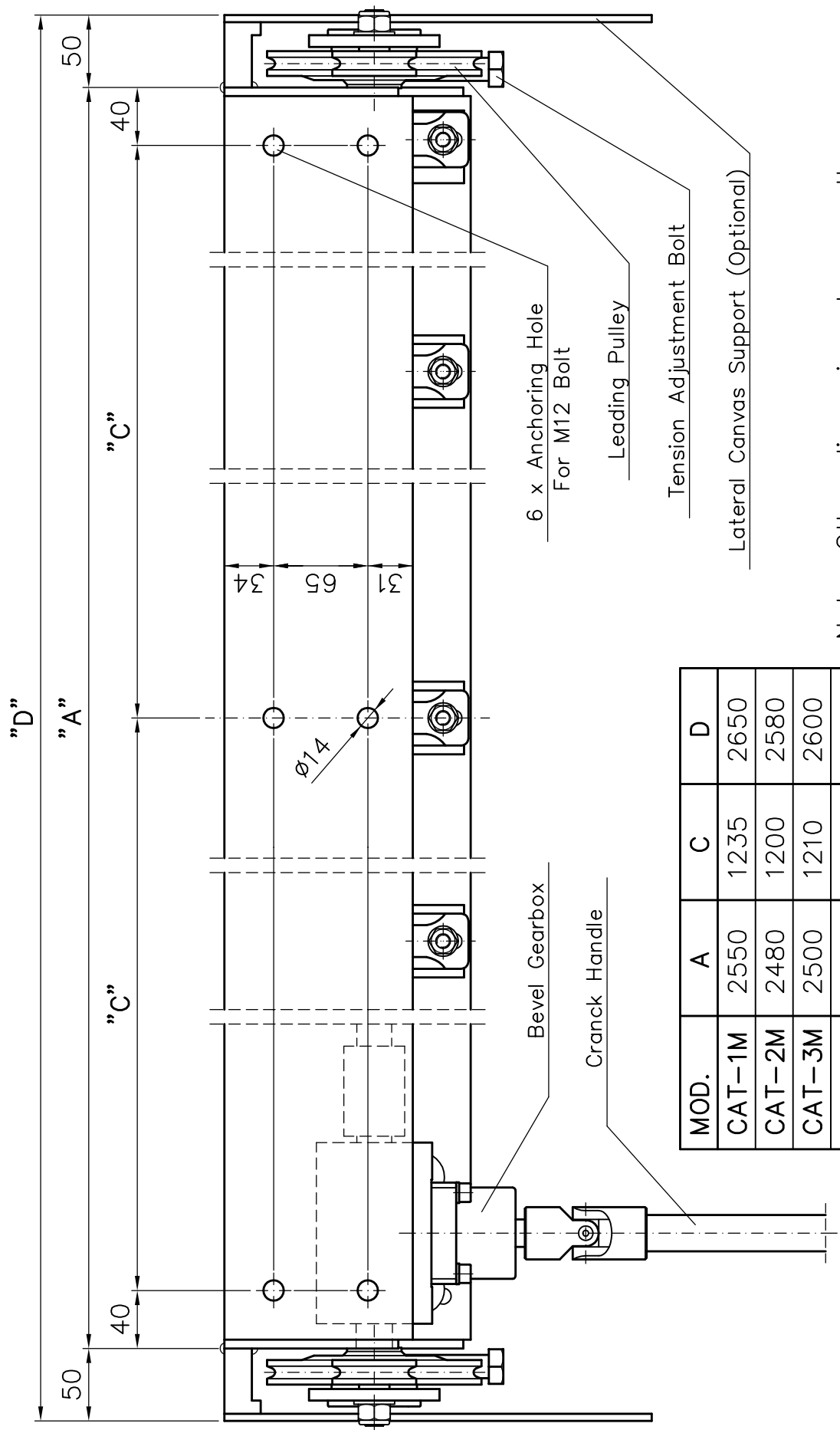
MANUAL DRIVE BOX KIT FOR TIPPER CANVAS (CAT-M): LOWER VIEW



MOD.	A	B
CAT-1M	2550	2583
CAT-2M	2480	2513
CAT-3M	2500	2533
CAT-4M	2380	2413

Note: Other dimensions to consult.

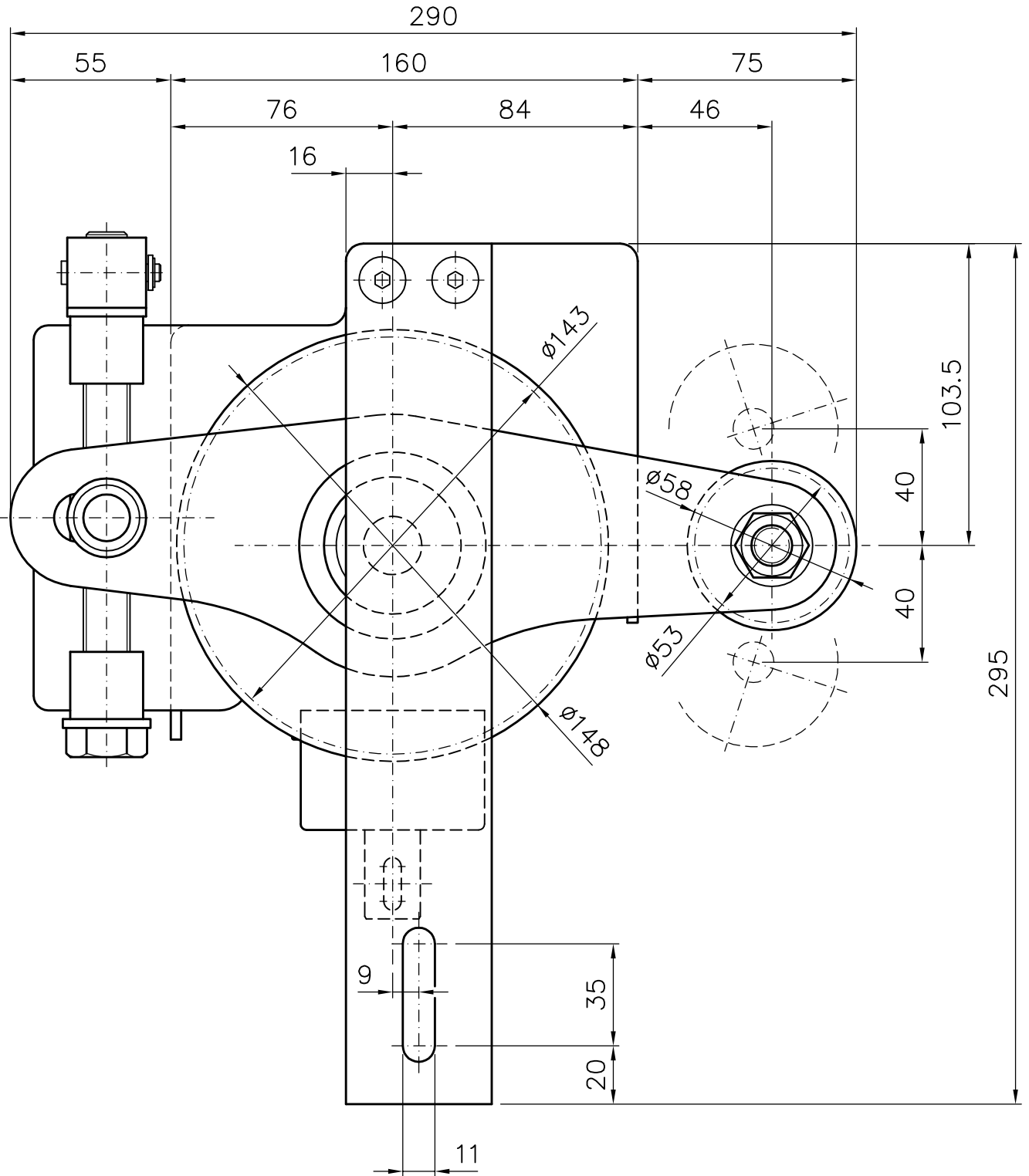
MANUAL DRIVE BOX KIT FOR TIPPER CANVAS (CAT-M): REAR VIEW



MOD.	A	C	D
CAT-1M	2550	1235	2650
CAT-2M	2480	1200	2580
CAT-3M	2500	1210	2600
CAT-4M	2380	1150	2480

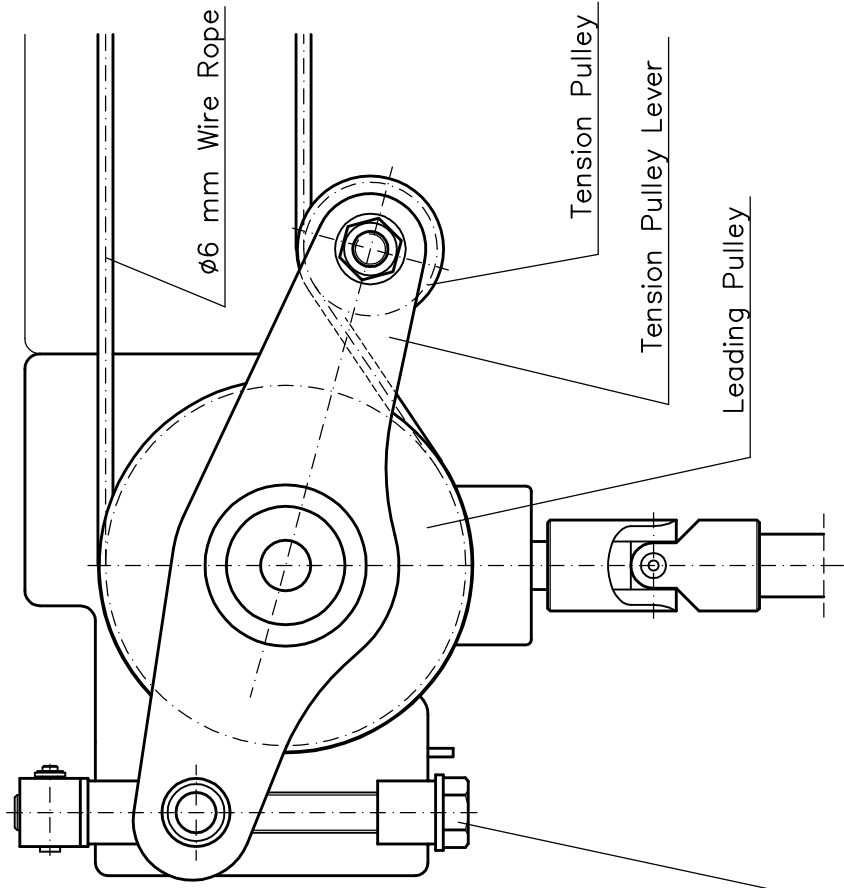
Note: Other dimensions to consult.

MANUAL DRIVE BOX KIT FOR TIPPER CANVAS (CAT-M) LATERAL VIEW

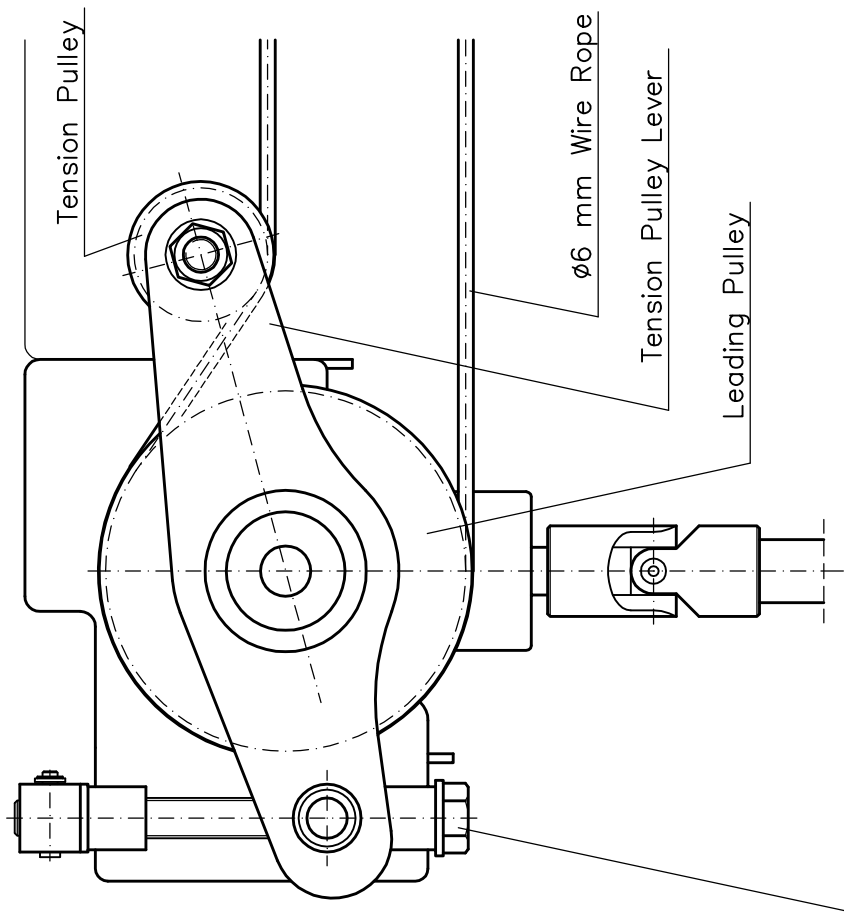


MANUAL DRIVE BOX KIT FOR TIPPER CANVAS (CAT-M): WIRE ROPES MOUNTING

TO TENSE LOWER SIDE OF WIRE ROPE



TO TENSE UPPER SIDE OF WIRE ROPE



MANUAL DRIVE BOX KIT FOR TIPPER CANVAS (CAT-M): CRANCK HANDLE

